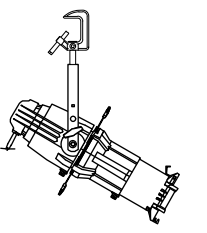
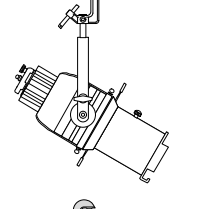
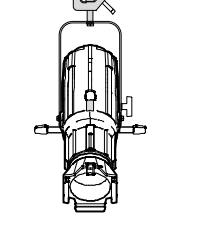
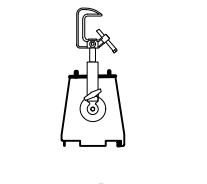
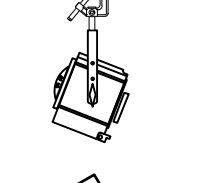
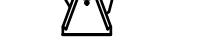





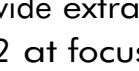
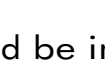


KEY TO SYMBOLS

-  ETC Source 4
575w
-  Allman 360Q
750w
-  ETC Lustr+
140w
-  ETC Colorsource PAR
90w
-  Allman 6" Fresnel
750w
-  L&E Ministrip
750w

LABEL LEGEND

-  Color
-  Accessory
-  Template
-  Unit Number
-  Cap
-  Channel
-  Dimmer

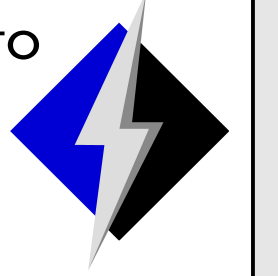
NOTES

- Provide extra barndoors, R119 and R132 at focus
- All Lustrs should be in Direct mode, all Colorsources PARs in 5ch mode
- R114 stripes should run vertically

REVISIONS

Ver.	Date	Changes	Drafted
A	11/11/18	Preliminary	MBF
B	11/14/18	Revised	MBF
C	11/25/18	Edited for Hang	MBF
D			
E			

Mark Fortunato
Lighting Design



443-534-5047
markfortunatodesign@gmail.com

- Lighting Designer: Mark Fortunato
 Assistant Lighting Designer: Jonas Hayes
 Master Electrician:
 Scenic Designer: Kayla Williams
 Costume Designer: Chloe Chafetz
 Sound Designer: Aubrey Dube

Winter People
By Laura Neill



SCALE: 1/2"=10"	Plate: 2 Of 2
DATE: 11/11/18	
Drawn By: MBF	

SECTION